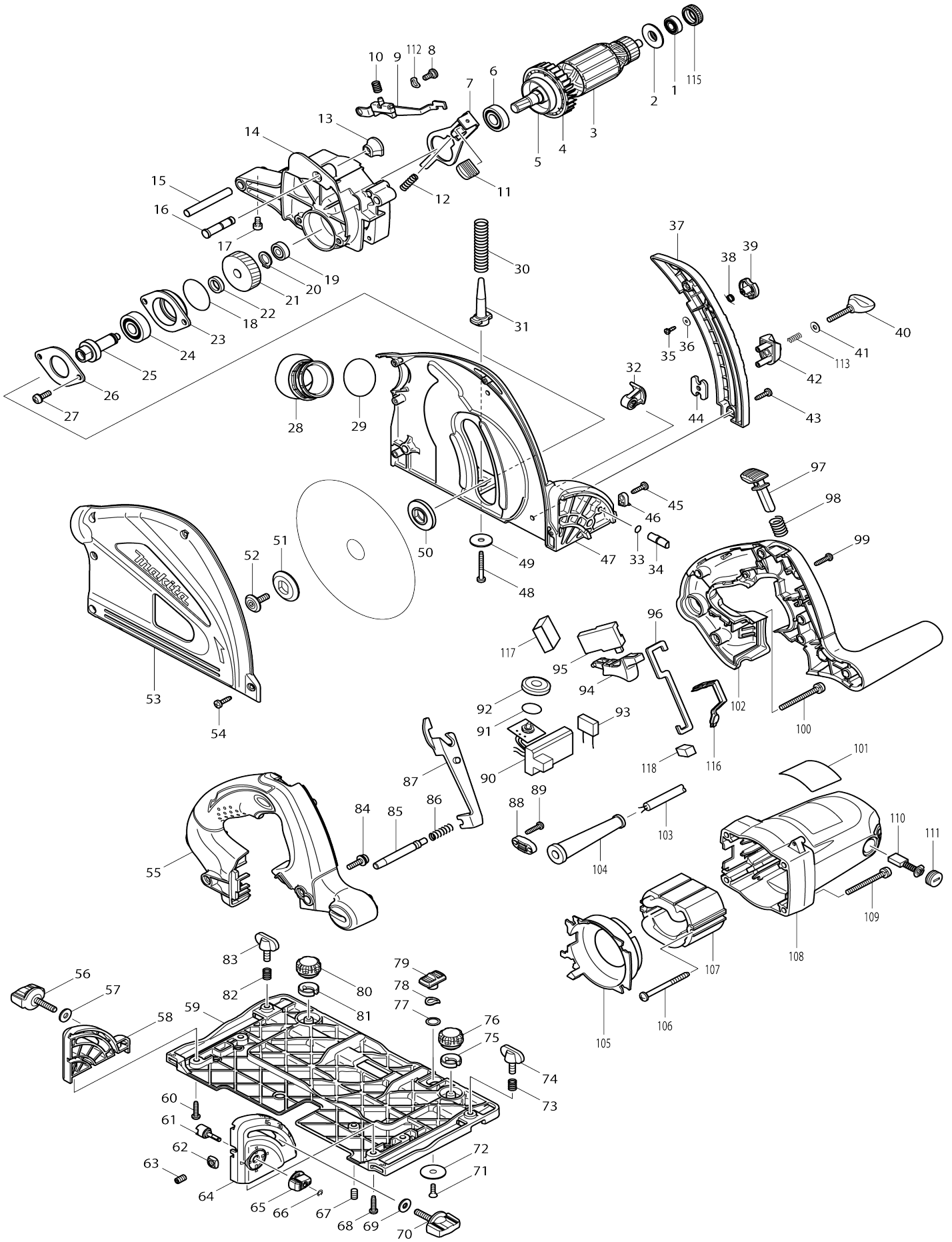


# Model No.SP6000 PLUNGE CUT CIRCULAR SAW 165MM



Model No.SP6000 PLUNGE CUT CIRCULAR SAW 165MM

Item No.	Parts No.	Description	Interchangeability	Q'ty	New/Old	Note1	Note2
001	210013-5	Ball bearing 698VV		1	*		
001B	210013-5	Ball bearing 698VV		1			
001-1	210319-1	Ball bearing 698LLB	O	1			
002	681634-4	Insulation washer		1			
003	513678-5	Armature assembly 220-240V		1	*		
003		INC. 1,2,4-6			*		
003B	513678-5	Armature assembly 220-240V		1			
003B		INC. 1,2,4-6					
003-1	510591-8	Armature assembly 220-240V	>	1	*		
003-1		INC. 1,2,4-6			*		
003-2	513678-5	Armature assembly 220-240V	<	1			
003-2		INC. 1,2,4-6					
004	240091-1	Fan 60		1			
005	345767-6	Drum		1			
006	211131-2	Ball bearing 6001DDW		1	*		
006B	211131-2	Ball bearing 6001DDW		1			
006-1	210216-1	Ball bearing 6001DDW	>	1	*		
006-2	211131-2	Ball bearing 6001DDW	<	1			
007	345742-2	Shaft lock		1			
008	265011-4	Binding head shoulder screw M5		1	*		
008-1	256A59-3	Binding head screw M5	O	1			
009	158096-6	Shoe complete		1	*		
009-1	345743-0	Shoe holder	S	1			
010	233480-7	Compression spring 7		1			
011	286275-7	Cap		1	*		
011-1	286039-9	Cap	<	1			
012	233084-5	Compression spring 6		1			
013	286278-1	Cap		1	*		
013-1	286040-4	Cap	<	1			
014	158092-4	Gear housing complete		1	*		
C10	263002-9	Rubber pin 4		1	*		
014-1	144586-5	Gear housing complete	O	1			
C10	263002-9	Rubber pin 4		1			
015	324716-6	Pin 8		1	*		
015-1	326960-1	Pin 8	S	1	*		
015-2	324716-6	Pin 8	<	1	*		
015-3	327B66-0	Pin 8	O	1			
016	324708-5	Stopper pin 8		1			
017	265913-4	Hex. socket head bolt M5X8		1	*		
017-1	265907-9	Hex. socket head bolt M5X10	S	1			
018	213512-6	O-ring 39		1			
019	211021-9	Ball bearing 607LLB		1	*		
019-1	210331-1	Ball bearing 607LLB	O	1			
020	961052-5	Retaining ring (EXT) S-12		1			
021	226637-7	Helical gear 39		1			
022	257010-0	Ring 12		1			
023	318088-9	Bearing box		1			

024	211129-9	Ball bearing 6201DDW		1	*		
024B	211129-9	Ball bearing 6201DDW		1			
024-1	210195-3	Ball bearing 6201DDW	O	1	*		
024-2	211129-9	Ball bearing 6201DDW	O	1			
025	324707-7	Spindle		1			
026	285689-7	Bearing retainer 55		1			
027	911221-8	Pan head screw M5X16 W		2			
028	419620-3	Dust nozzle		1			
029	213460-9	O-ring 35		1			
030	233479-2	Compression spring 11		1			
031	419624-5	Spring holder		1			
032	158095-8	Lever 20 complete		1	*		
C10	263002-9	Rubber pin 4		1	*		
032-1	144867-7	Lever 20 complete	<	1			
C10	263002-9	Rubber pin 4		1			
033	213021-5	O-ring 5		1			
034	324710-8	Pin 8		1			
035	266007-8	Binding head tapping screw 3X1 0		1			
036	253821-1	Flat washer 3		1			
037	419625-3	Depth guide		1	*		
037-1	457756-0	Depth guide	O	1			
038	231665-9	Torsion spring 7		1			
039	419630-0	Lock lever		1			
040	251867-1	Thumb screw M5X30		1			
041	941101-4	Flat washer 5		1	*		
041-1	253414-4	Flat washer 5	O	1			
042	419623-7	Stopper block		1			
043	266034-5	Binding head tapping screw 4X1 6		2			
044	345744-8	Nut plate		1			
045	266034-5	Binding head tapping screw 4X1 6		1			
046	419632-6	Pointer		1			
047	158093-2	Blade case complete		1	*		
C10	233025-1	Compression spring 2		1	*		
C20	253874-0	Flat washer 4		1	*		
C30	259008-3	Push nut 4		1	*		
C40	286277-3	Cap 14		1	*		
C50	345747-2	Spacer plate		1	*		
047-1	158547-9	Blade case complete	S	1	*		
C10	233025-1	Compression spring 2		2	*		
C20	253874-0	Flat washer 4		2	*		
C30	259008-3	Push nut 4		2	*		
C40	286277-3	Cap 14		2	*		
C50	345747-2	Spacer plate		2	*		
047-1 C	158547-9	Blade case complete		1	*		
C10	233025-1	Compression spring 2		2	*		
C20	253874-0	Flat washer 4		2	*		
C30	259008-3	Push nut 4		2	*		
C40	286277-3	Cap 14		2	*		
C50	345747-2	Spacer plate		2	*		

047-2	144868-5	Blade case complete	<	1	*		
C10	233025-1	Compression spring 2		2	*		
C20	253874-0	Flat washer 4		2	*		
C30	259008-3	Push nut 4		2	*		
C40	286277-3	Cap 14		2	*		
C41	286041-2	Cap 14	<	2	*		
C50	345747-2	Spacer plate		2	*		
047-3	140D56-6	Blade case complete	O	1			
C10	233025-1	Compression spring 2		2			
C20	253874-0	Flat washer 4		2	*		
C21	347392-9	Plate	O	2			
C30	259008-3	Push nut 4		2			
C41	286041-2	Cap 14	<	2			
C50	345747-2	Spacer plate		2			
048	266053-1	Binding head tapping screw 4X3 5		1			
049	253010-8	Flat washer 6		1			
050	224406-0	Inner flange 35		1	*		
050-1	224593-5	Inner flange 35	O	1			
051	224405-2	Outer flange 35		1	*		
051-1	224409-4	Outer flange 35	O	1			
052	266403-0	Hex. socket head bolt M6X20		1			
053	318084-7	Blade case cover		1	*		
053-1	319709-6	Blade case cover	S	1			
054	266034-5	Binding head tapping screw 4X1 6		5			
055	188197-6	Handle set		1			
055		INC. 102					
056	265776-8	Thumb screw M6X26		1			
057	253111-2	Flat washer 6		1			
058	419596-4	Rear angular guide		1			
059	318085-5	Base		1	*		
059-1	318179-6	Base	S	1			
059-1 C	318179-6	Base		1			
060	265995-6	Binding head tapping screw 4X1 8		2			
061	324731-0	Stopper pin		1			
062	252157-5	Square nut M6		1			
063	266085-8	Hex. socket set screw (flat point) M6X10		1	*		
063-1	266225-8	Hex. socket set screw (flat point) M6X8	<	1			
064	419595-6	Front angular guide		1	*		
064-1	413A11-6	Front angular guide	<	1			
065	419571-0	Dial 22		1	*		
065-1	457963-5	Dial 22	<	1			
066	961017-7	Stop ring (EXT) E-3		1			
067	266085-8	Hex. socket set screw (flat point) M6X10		1	*		
067-1	266085-8	Hex. socket set screw (flat point) M6X10	S	2	*		
067-1 C	266085-8	Hex. socket set screw (flat point) M6X10		2	*		

067-2	266225-8	Hex. socket set screw (flat point) M6X8	<	2			
068	265995-6	Binding head tapping screw 4X18		2			
069	253111-2	Flat washer 6		1			
070	265776-8	Thumb screw M6X26		1			
071	912112-6	Countersunk head screw M4X10		1			
072	345748-0	Lock washer		1			
073	231316-4	Compression spring 7		1	*		
073-1	231240-1	Compression spring 7	O	1			
074	265701-9	Thumb screw M6X14		1			
075	419627-9	Holder		1	*		
075-1	4133W1-2	HOLDER	O	1			
076	265775-0	Thumb screw M4X3		1	*		
076-1	265775-0	Thumb screw M4X3	O	1			
077	267070-4	Flat washer 10		1	*		
077-1	345977-5	Plate	<	1			
077-1 C	345977-5	Plate		1			
078	253932-2	Wave washer 10		1			
079	419621-1	Slide lever		1	*		
079-1	458092-7	Slide lever	<	1			
080	265775-0	Thumb screw M4X3		1	*		
080-1	265775-0	Thumb screw M4X3	O	1			
081	419627-9	Holder		1	*		
081-1	4133W1-2	HOLDER	O	1			
082	231316-4	Compression spring 7		1	*		
082-1	231240-1	Compression spring 7	O	1			
083	265701-9	Thumb screw M6X14		1			
084	922232-8	Hex. socket head bolt M5X20		1			
085	324709-3	Lock pin 8		1			
086	233267-7	Compression spring 7		1			
087	419631-8	Lock plate		1			
088	687052-4	Strain relief		1			
089	265995-6	Binding head tapping screw 4X18		2			
090	631729-3	Controller		1			
091	213261-5	O-ring 17		1			
092	418905-4	Dial		1			
093	645185-1	Noise suppressor		1			
094	419622-9	Switch lever		1			
095	651922-3	Switch TG71B		1			
096	345745-6	Link plate		1			
097	419629-5	Lock off button		1			
098	233089-5	Compression spring 12		1			
099	265995-6	Binding head tapping screw 4X18		6			
100	911273-9	Pan head screw M5X50 WR		1			
101	862913-1	Name plate SP6000		1	*		
101-1	862913-1	Name plate SP6000	O	1	*		
101-2	862913-1	Name plate SP6000	O	1	*		
101-3	862913-1	Name plate SP6000	O	1			
102	188197-6	Handle set		1			

102		INC. 55				
103	665890-4	Power supply cord 1.0-2-4.0		1		
104	682540-6	Cord guard 9.3-90		1	*	
104B	682540-6	Cord guard 9.3-90		1		
104-1	682574-9	Cord guard 10	O	1	*	
104-2	682540-6	Cord guard 9.3-90	O	1		
105	419626-1	Baffle plate		1		
106	266044-2	Binding head tapping screw 5X6 0		2		
107	525743-8	Field assembly 220-240V		1		
C10	654020-2	Ring terminal 36L		2		
C20	654501-6	Non-insulated splice P-1.25		2	*	
C21	654485-8	Non-insulated splice	O	2		
108	158094-0	Motor housing complete		1		
C10	643708-9	Brush holder 5-11		2		
109	911273-9	Pan head screw M5X50 WR		4		
110	191963-2	Carbon brush set		1	*	
110-1	194996-6	Carbon brush set	O	1		
111	643750-0	Holder cap 7-11		2		
112	267781-1	Wave washer 7		1		
113	231372-4	Compression spring 5		1		
114	233025-1	Compression spring 2		1	*	
115	421479-6	Rubber ring 19		1		
116	424047-4	Packing		1		
117	424050-5	Sponge		1		
118	443137-4	Felt		1		
119	450118-1	Block		1	*	
120	450119-9	Lever		1	*	
121	911013-5	Pan head screw M3X10 WR		1	*	
122	213045-1	O-ring 6		2	*	
123	422953-7	Shoe	S	1		
A01	B-07353	TCT SAW BLADE 165X20X48T		1	*	
A01-1	B-57336	TCT BLADE165X20X56TWOOD/M DF DB	O	1		
A02	783203-8	Hex. wrench 5		1	*	
A02B	783203-8	Hex. wrench 5		1		
A02-1	783217-7	Hex. wrench 5	O	1		
A03A	165447-6	Sub base		1	*	
A03B	824783-6	Connector plastic case		1		
C10	453471-4	Handle		1		
C20	453472-2	Latch		4		
A03C	821552-6	Connector plastic case (type 4)		1		
C10	453974-8	Latch		4		
A04B	804869-2	Plastic case label SP6000K		1		
A04C	800V02-6	Indication label SP6000J		1	*	
A04-1 C	805K60-1	Indication label SP6000J	<	1		
A05C	800V03-4	Plastic case label SP6000J		2		
A07C	837804-5	Inner tray		1	*	
A07-1 C	837945-7	Inner tray	<	1	*	
A07-2 C	838390-9	Inner tray	<	1		

F02	194367-7	Guide rail 3000 set		1		
C10	413102-7	Seat 3000		2		
C20	423360-7	Position sheet 3000		1		
C30	423362-3	Rubber sheet 3000		2		
C40	819212-2	Makita logo label		1		
F03	194368-5	Guide rail 1400 set		1		
C10	413101-9	Seat 1400		2		
C20	423359-2	Position sheet 1400		1		
C30	423361-5	Rubber sheet 1400		2		
C40	819212-2	Makita logo label		1		
F04	194418-6	Position sheet 1400 set		1		
F06	194416-0	Sheet 10000 set		1		
F07	194417-8	Rubber sheet 10000 set		1		
F09-1	196664-7	Bevel guide set	O	1		
F10	194925-9	Guide rail 1900 set		1		
C10	423386-9	Position sheet 1900		1		
C20	423390-8	Rubber sheet 1900		2		
C30	451330-6	Sheet 1900		2		
C40	819212-2	Makita logo label		1		
F12	194910-2	Position sheet 1900 set		1		
F15	198885-7	Guide rail connector set		1		
F17	199140-0	Guide rail 1000 set		1		
F18	199141-8	Guide rail 1500 set		1		
F28	1913K7-3	Parallel guide set (MM)		1		

Please state Parts No. when your order.

Print Date 09/01/2025